

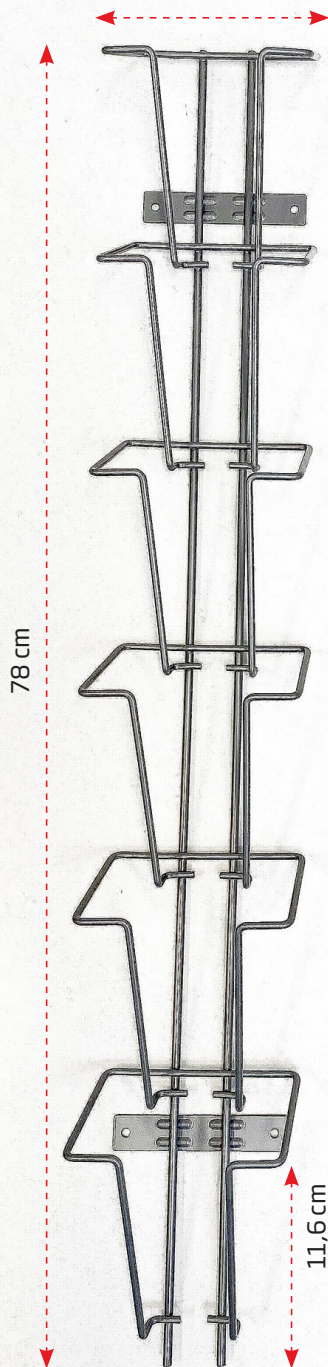
 Brochure holder for wall mounting. Produced in steel-thread, powder coated in silver RAL9006. Choose between 7 different sizes.

 Prospekthalter für Wandmontage, aus Draht hergestellt und Polyesterlackiert in silber RAL9006. Wählen Sie zwischen 7 verschiedene Größen.

 Brochureholder produceret i tråd til vægmontage. Produceret i polyesterlakeret i sølv RAL9006. Vælg mellem 7 forskellige størrelser.

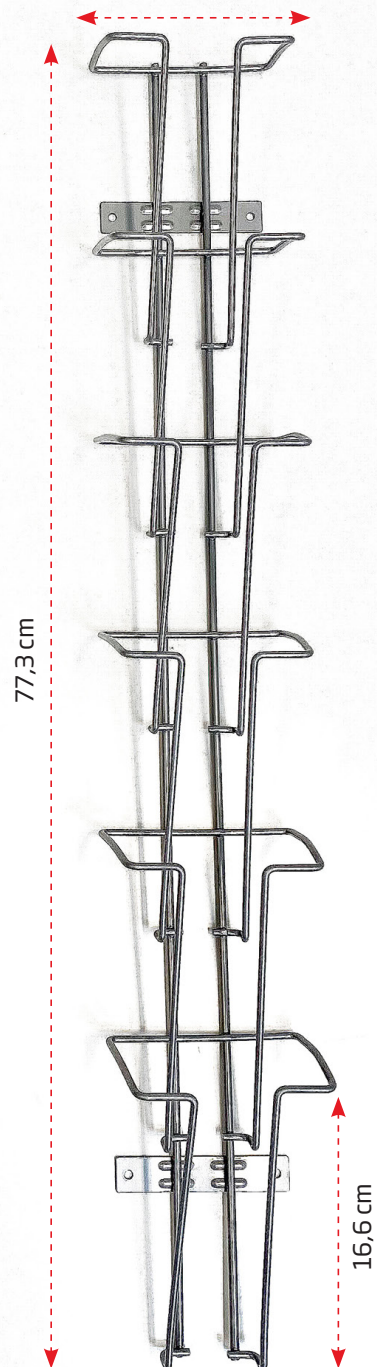
A6 - art. 2536:

Width inside 10,6 cm
Width outside 11,8 cm



M65 - art. 2544:

Width inside 10,5 cm
Width outside 11,3 cm



Screws and plugs incl.



7 different sizes for wall mounting:

- Model 836: 6 x A6 & M65
- Model 835: 9 x A5
- Model 823: 1 x A4
- Model 832: 6 x A4
- Model 833: 10 x A4
- Model 834: 15 x A4
- Model 827: 5 x newspaper

Model	Art.no.	Capacity	Inside width	Colour	Total W x H x D	Package size and weight	Pallet size and quantity
836	2536	6 x A6	10,6 cm	Silver	11,8 x 78 x 7,5 cm	9 x 9 x 13 cm 1,1 kg	80 x 120 x 220 cm 104 pcs.
836	2544	6 x M65	10,5 cm	Silver	11,3 x 77,3 x 7,8 cm	9 x 9 x 13 cm 1,1 kg	80 x 120 x 220 cm 104 pcs.